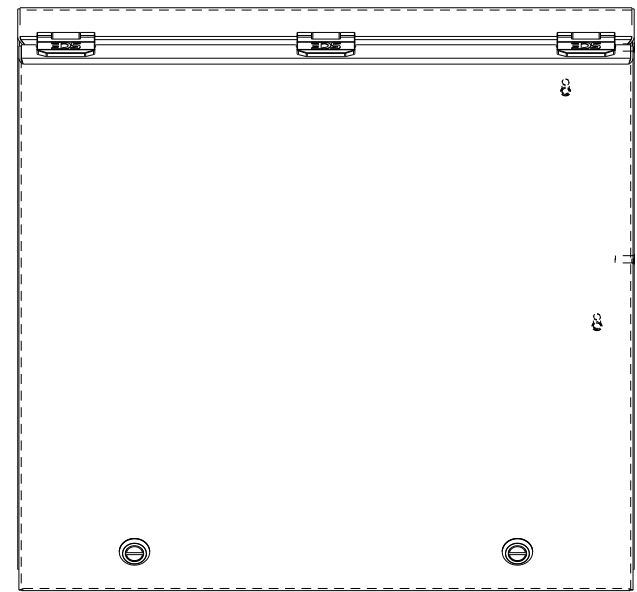
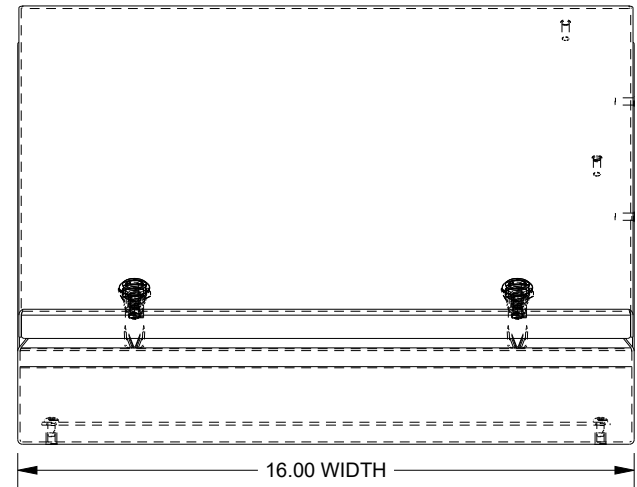


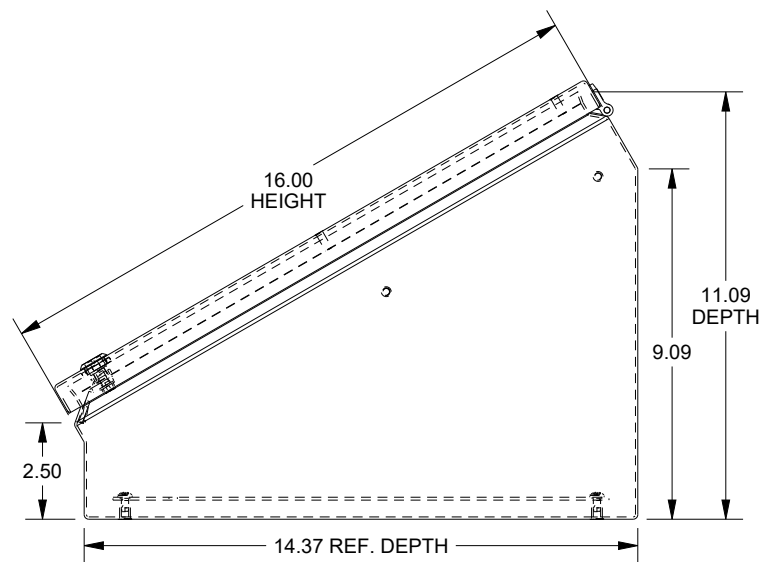
# SAGINAW CONTROL & ENGINEERING SCE-16C16ELJSS



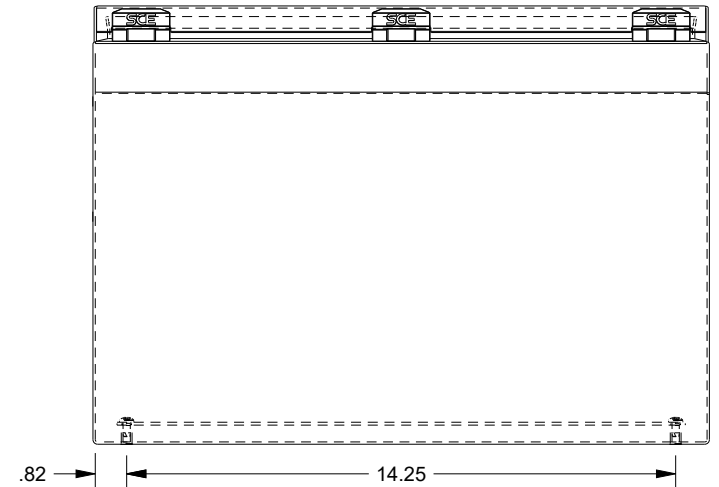
TOP VIEW



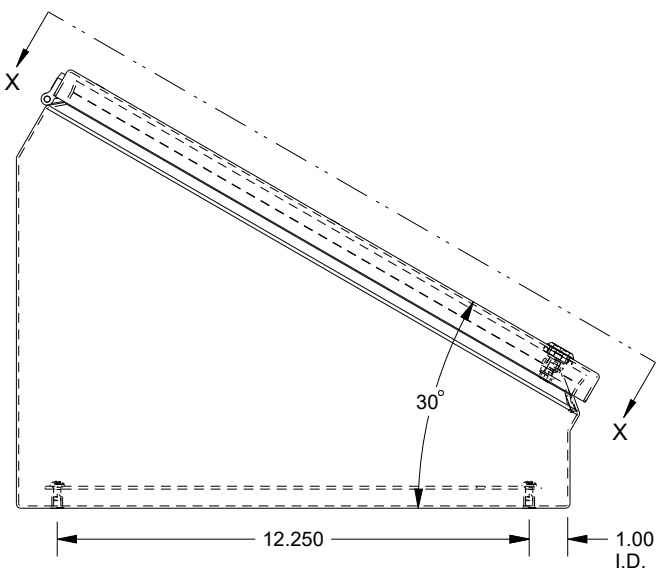
FRONT VIEW



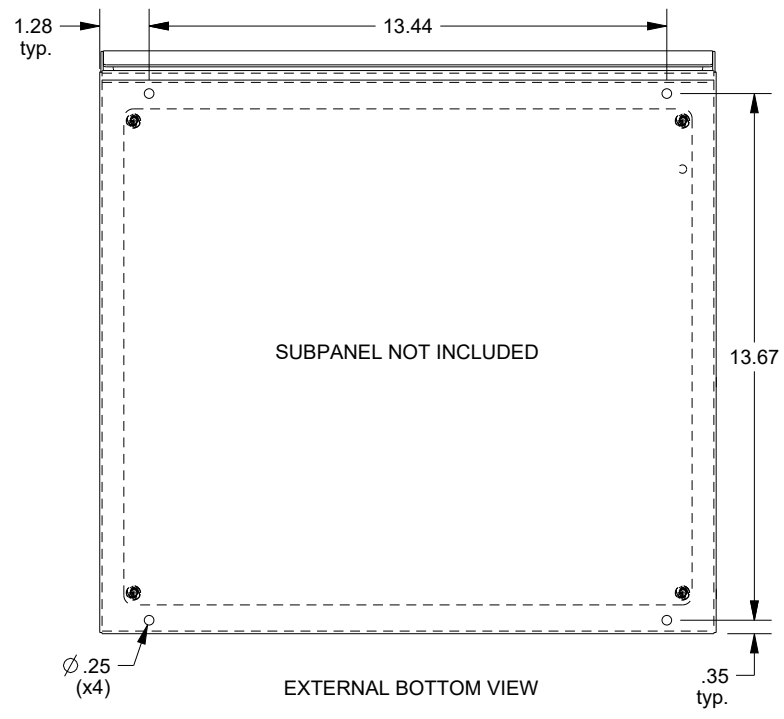
RIGHT SIDE VIEW



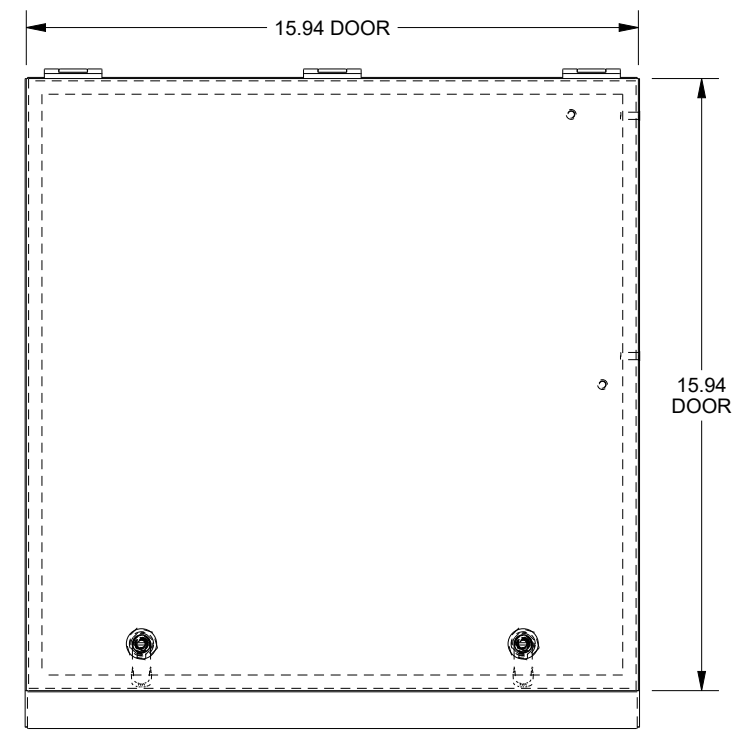
REAR VIEW



LEFT SIDE VIEW



EXTERNAL BOTTOM VIEW



SECTION X-X  
SCALE 0.200